



DVP Description

- 1/4" NPT fixed female end connection to 1/4" NPT male.
- High Tensile Brass CZ114

International Standards approvals

- ISO 14 113 - Gas welding equipment
- ISO 1402 - Rubber & Plastic hoses – hydrostatic testing
- ISO 7751 - Rubber & Plastic hoses – Ratio if proof & burst pressure to D.P

Ignition Testing

- CTE/BAN authorised with suitable hose assembly (certificate available upon request)

Dimensions

- Overall length 120mm
- Diameter 0.820 A/F hex

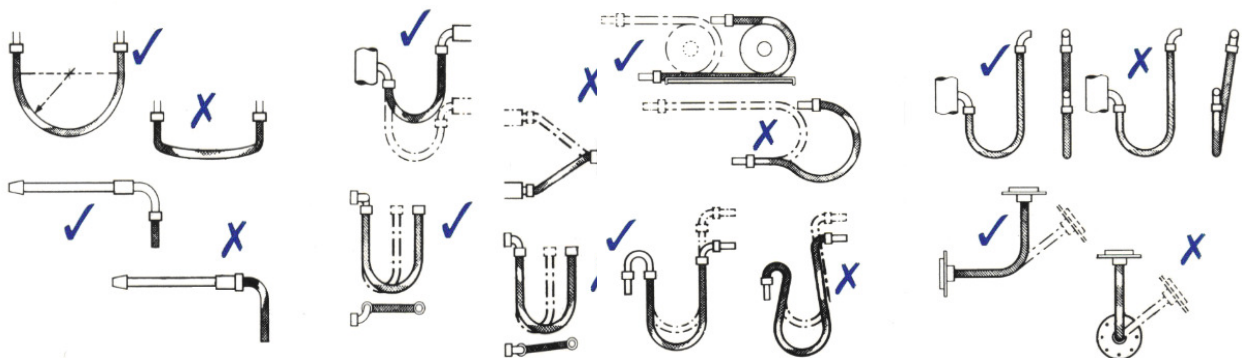
Pressures

- Maximum Test Pressure 330 Bar Pneumatic
450 Bar Hydraulic
- Max Design pressure@ 15°C 300 Bar

Temperature Design

- Maximum Temperature +65°C
- Minimum Temperature -30°C

Design and installation considerations



Aeroflex Hose & Engineering Ltd.

Winchester House
 11 Enterprise Way
 Aviation Park West
 Bournemouth Airport
 Dorset BH23 6EW

T. **01202 895660**
 F. **01202 891177**

www.aeroflex.co.uk

