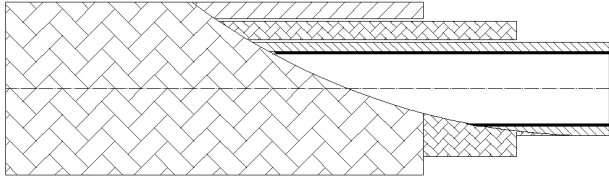


AEROFLEX
High Pressure O2 & Inert PTFE Hose
HT230-04



HT230-04



Hose Description

- 6.35mm bore hose.
- Double braided stainless steel.
- PTFE internal gas tube. Grade 62NHT230
- This product has a Design pressure of 300 Bar

International Standards approvals

- ISO 1402 - Rubber & Plastic hoses – hydrostatic testing
- ISO 1746 - Rubber & Plastic hoses – Bend testing
- ISO 4080 - Rubber & Plastic hoses – Determination of Permeability
- ISO 7751 - Rubber & Plastic hoses – Ratio of proof & burst pressure to D.P
- ISO 6803 - Rubber & Plastic hoses – Pressure impulses = 150,000.

Bending

Bend Radius 75mm

Test Pressures

Pneumatically 330 Bar
 Hydraulically 450 Bar

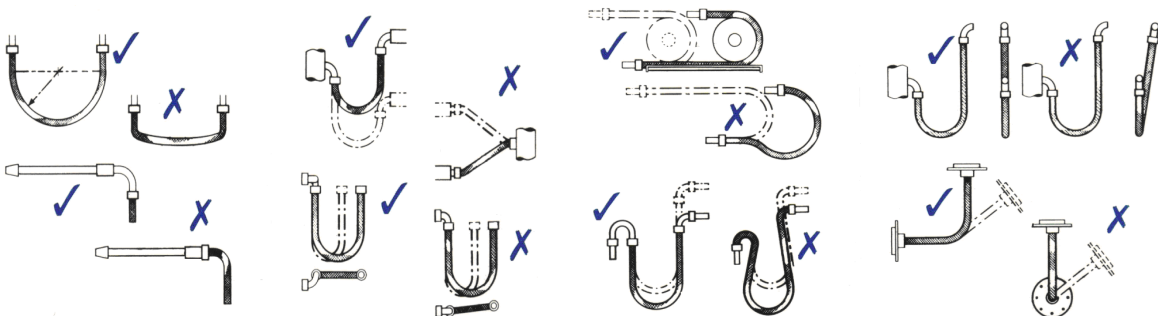
Minimum Burst Pressure 1200 Bar

Hose Temperature Design

Maximum Temperature + 90°C
 Minimum Temperature - 30°C

This hose has successfully passed an oxygen ignition test in accordance with **ISO14113**. However, be aware that this is with suitably designed heat sinks / Distance volume pieces.

Design and installation considerations



Aeroflex Hose & Engineering Ltd.

Winchester House
 11 Enterprise Way
 Aviation Park West
 Bournemouth Airport
 Dorset BH23 6EW

T. **01202 895660**
 F. **01202 891177**

www.aeroflex.co.uk

