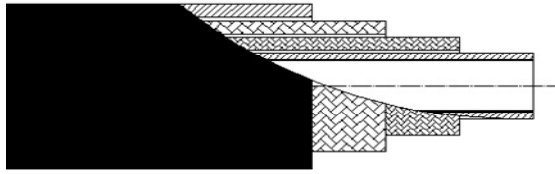


## HT231-04

### High Pressure Gas Hose



#### Hose Description

- 6.35mm bore hose.
- Double braided stainless steel.
- Gas quality PTFE tube. Grade 62N-HT231
- Black Perforated anti- abrasive outer cover
- This product has been designed to work at a maximum pressure of 320 Bar.

#### International Standards approvals

- ISO 1402 - Rubber & Plastic hoses – hydrostatic testing
- ISO 1746 - Rubber & Plastic hoses – Bend testing
- ISO 4080 - Rubber & Plastic hoses – Determination of Permeability
- ISO 7751 - Rubber & Plastic hoses – Ratio of proof & burst pressure to D.P
- ISO 6803 - Rubber & Plastic hoses – Pressure impulses = 150,000.

#### Bending

- Min Bend Radius 75mm

#### Pressures

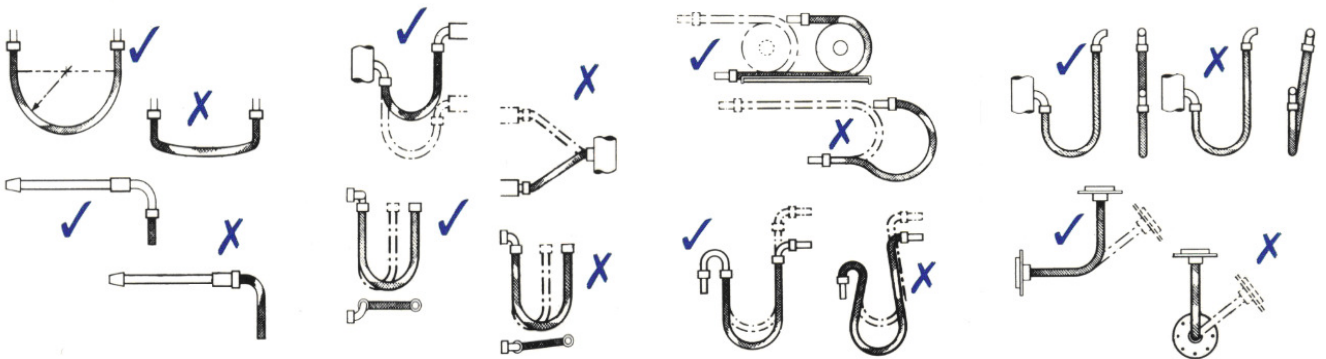
- Maximum Design Pressure 350 Bar Pneumatic
- Minimum Burst Pressure 1400 Bar

#### Hose Temperature Design

- Maximum Temperature + 100°C
- Minimum Temperature - 30°C

This hose has successfully passed an oxygen ignition test in accordance with ISO14113. However, be aware that this is without design of heat sinks/ distance volume pieces.

#### Design and installation considerations



#### Aeroflex Hose & Engineering Ltd.

Winchester House  
11 Enterprise Way  
Aviation Park West  
Bournemouth Airport  
Dorset BH23 6EW

T: 01202 895660  
F: 01202 891177

[www.aeroflex.co.uk](http://www.aeroflex.co.uk)

