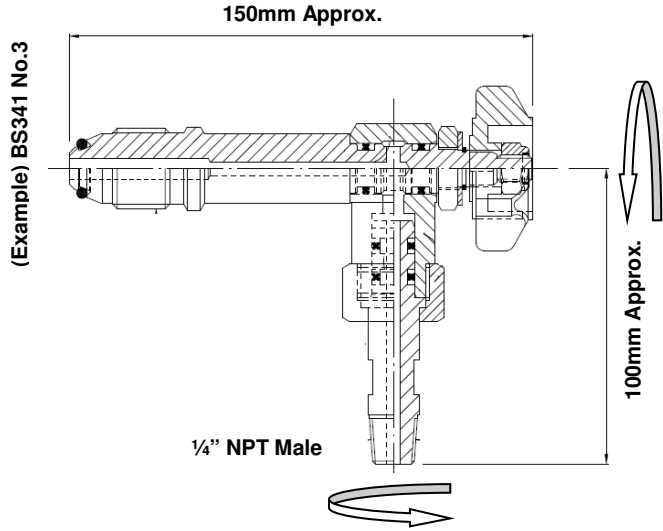


**High Pressure Biaxial cylinder connector  
(90° Dual Swivel) Series No. BAS-100-XXX-X**

**aeroflex**



**BAS-100-XXX-X**

**Description**

- Dual Axis cylinder connector suitable for industrial and medical gas filling solutions
- 90 Degrees orientation
- Cylinder connectors available with a range of outlets (BS341, DIN, NEVOC, CGA, AFNOR etc.)
- This product has been designed to work at a maximum working pressure of 420 Bar

**End Fittings/Connections**

- 1/4" NPT Fixed male inlet - Brass
- See below – Brass
- Available with RPV Override/ Actuator pin

**Pressures**

Design Pressure                                        420 Bar

**Available Connections**

<i>Other standards available upon request</i>		<b>Typical Industrial gas applications</b>			
<b>Part Number</b>	<b>Type No.</b>	<b>O2 *</b>	<b>Insert *</b>	<b>Flammable *</b>	<b>Other (Specialty/Mixes)</b>
BAS-100-BS341-X	3,4,8 etc.	✓	✓	✓	Contact sales
BAS-100-NEVOC -X	30, 32 etc.	✓	✓	✓	Contact sales
BAS-100-DIN 477-X	3,4,8 etc.	✓	✓	✓	Contact sales
BAS-100-CGA-X	540,580 etc.	✓	✓	✓	Contact sales
BAS-100-XXX-X	Other	✓	✓	✓	Contact sales

\*Please note gas applications are standard specific, so connection/media type must be in accordance\*

**Aeroflex Hose & Engineering Ltd.**

Winchester House  
11 Enterprise Way  
Aviation Park West  
Bournemouth Airport  
Dorset BH23 6EW

T. **01202 895660**  
F. **01202 891177**

[www.aeroflex.co.uk](http://www.aeroflex.co.uk)

